

8"



INTREPID W8 QUICK START GUIDE

Quick Start Guide


Turning on your tablet

1. The Power button is located on the front of your tablet. Press and hold it for 5-10 seconds to turn the device on or off


Enabling Tablet Mode

1. Go to your Desktop
2. Select the chat bubble notification icon on the bottom right corner of the screen.
3. Click on the "Tablet Mode" box


Changing the brightness on your tablet

1. On the home screen, press the message icon  on the bottom-right of the screen to reveal the quick-access menu.
2. Move the slider at the bottom of the quick-access menu to change the brightness level.

Connect to a Wi-Fi Network

1. On the home screen, press the message icon  on the bottom-right of the screen to reveal the quick access menu.
2. Tap the "Network" Icon to open the Wi-Fi menu.
3. Select the Wi-Fi network you'd like to connect to.

Connect to a Bluetooth device

1. On the home screen, press the message icon  on the bottom-right of the screen to reveal the quick access menu.
2. Tap the "Bluetooth" Icon to open the Bluetooth menu.
3. Select the Bluetooth device you'd like to connect to.

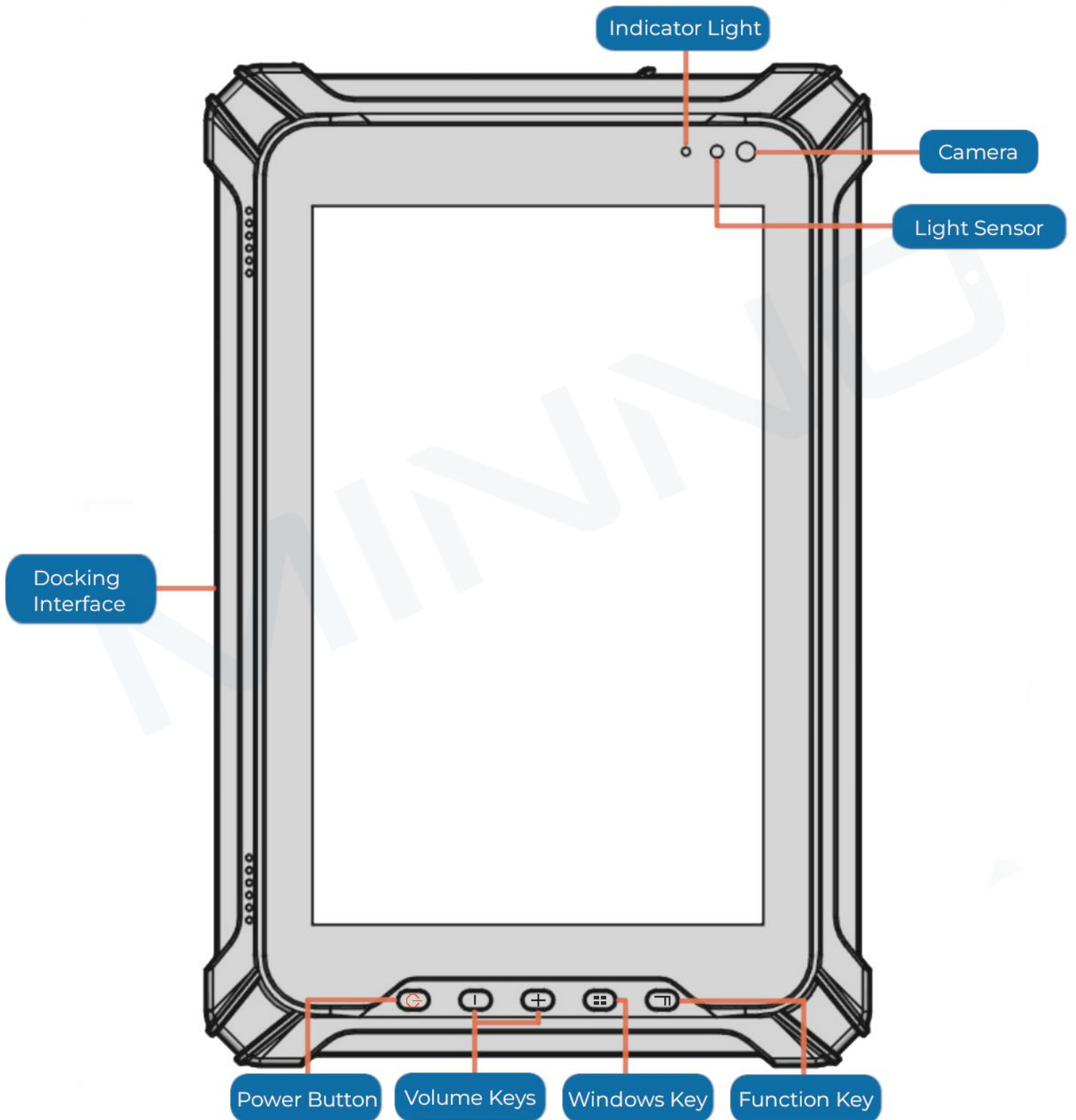
Contact us

Website: www.ruggedtablets.com

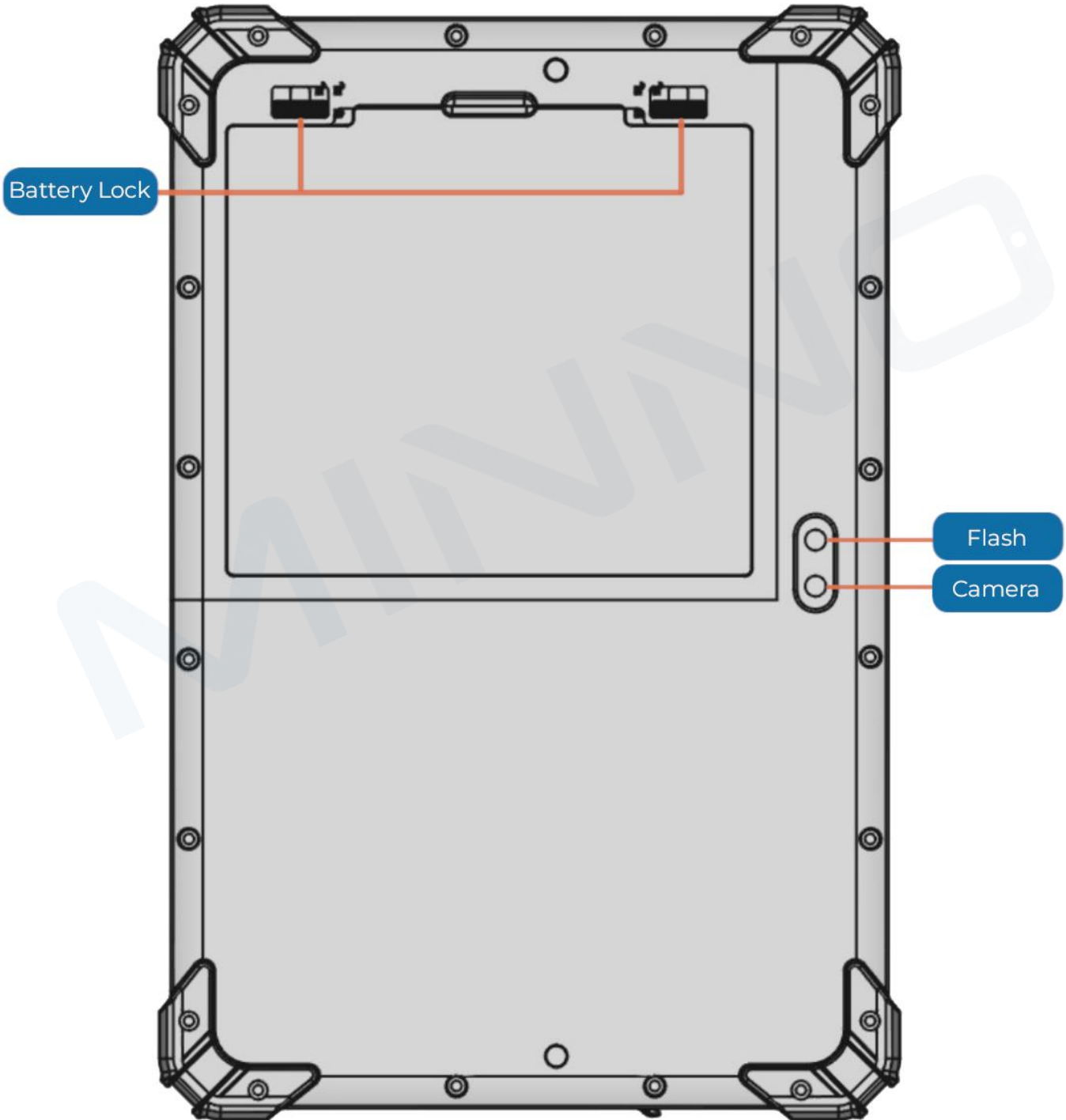
Email: info@minnotablet.com

Phone: +1 805-962-3084

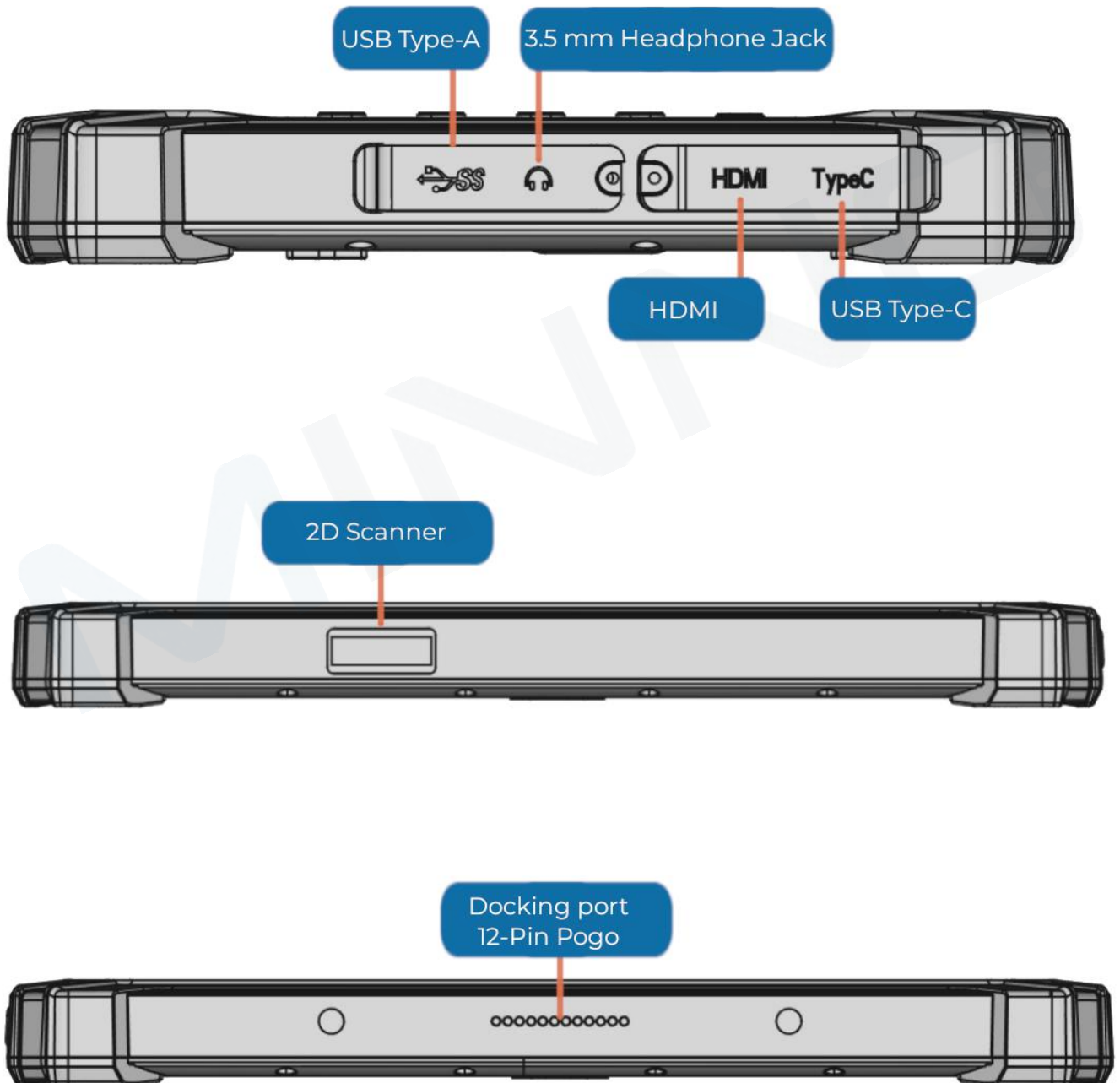
Front View



Back View

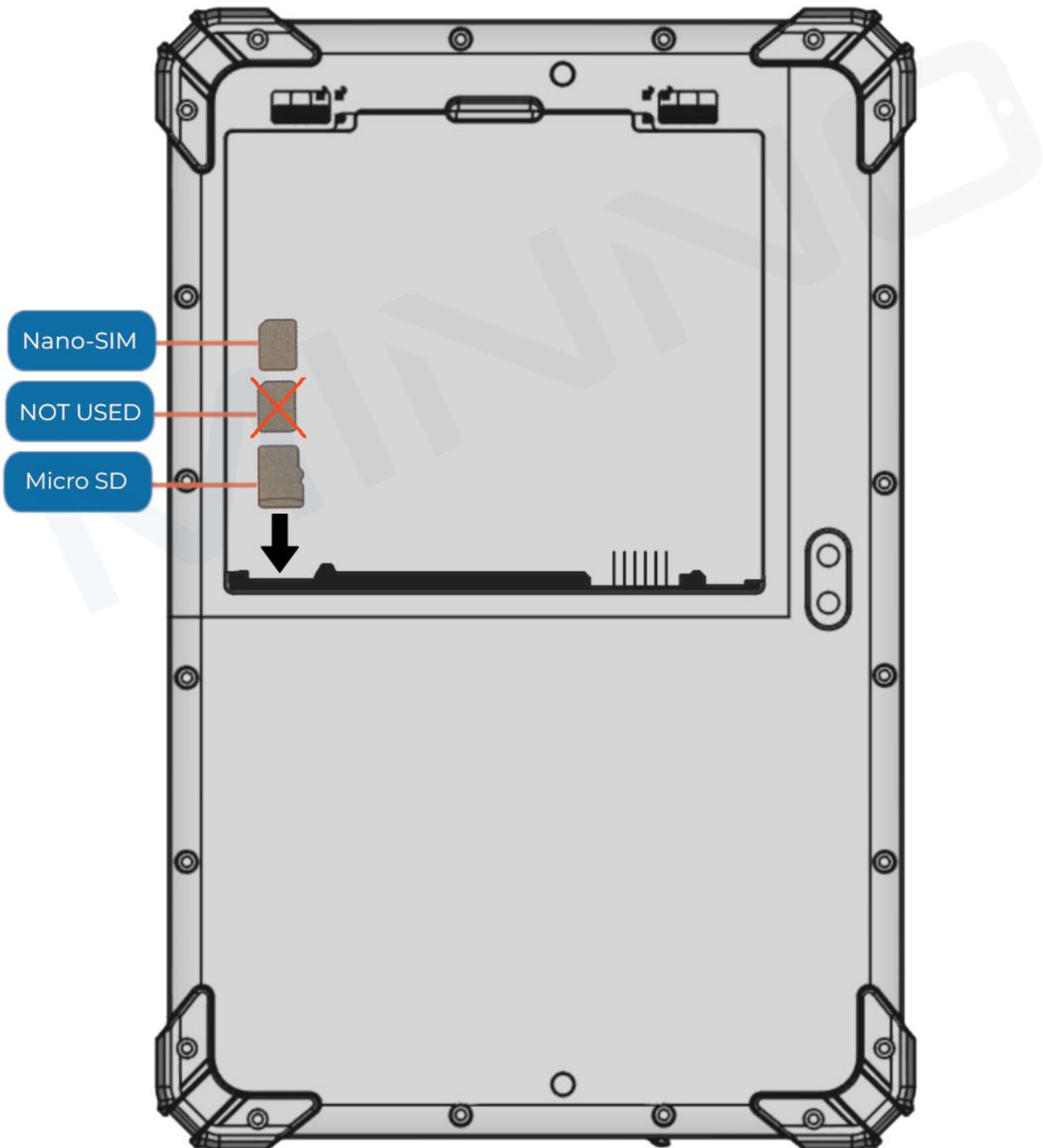


Side View



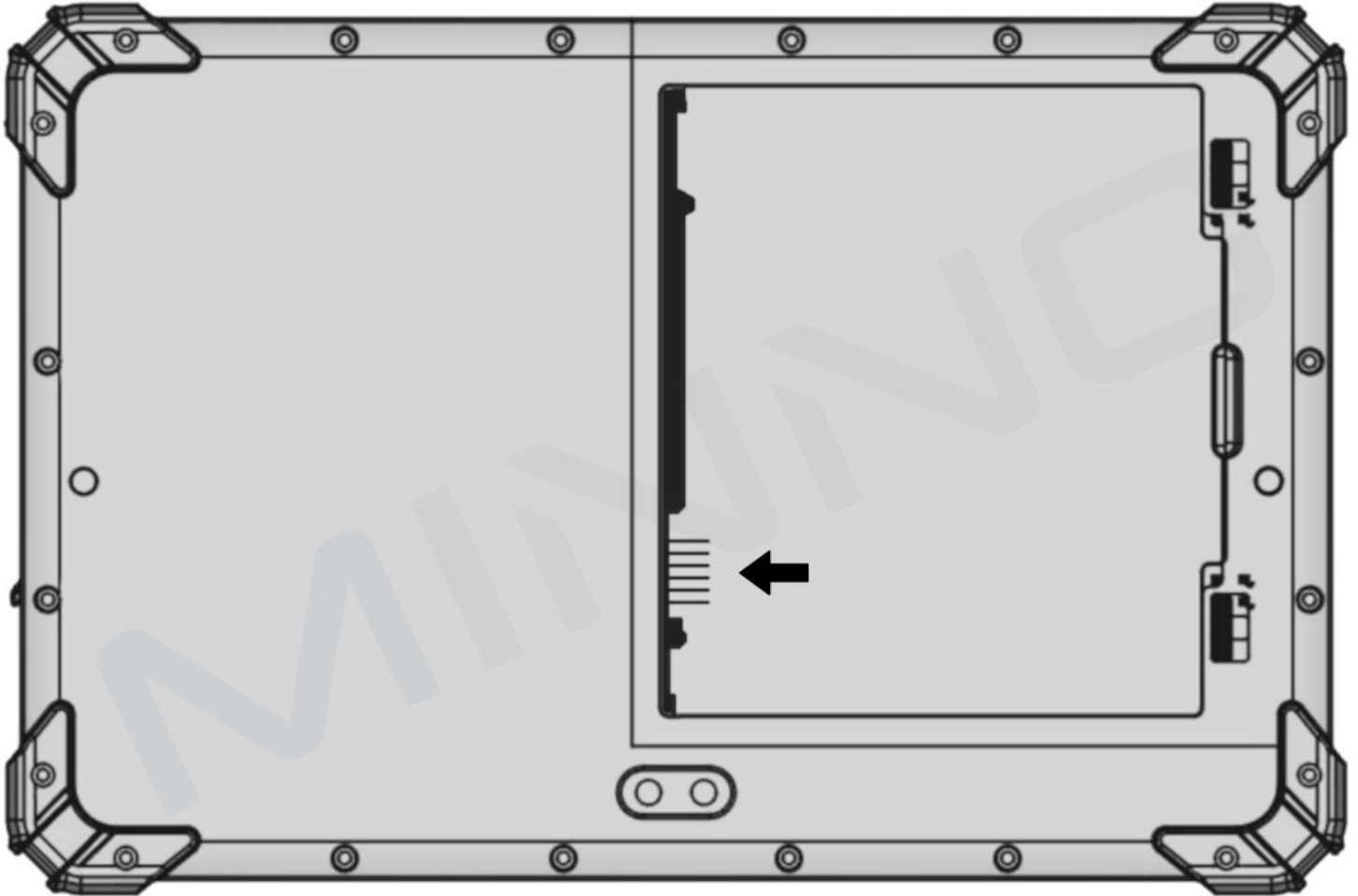
Memory & SIM Installation

Slide out the card tray and Insert the Micro SD, NC Card, or Nano SIM card into the corresponding slots. Insert the tray in the direction shown in the diagram. The slots are located underneath the battery on the tablet.



Battery Swap

Install the battery in the correct order.



1. Disengage the battery cover lock
2. Pull the cover up from the raised sides
3. Disengage the battery lock
4. Replace the battery
5. Re-engage the battery lock
6. Line up the cover pins at the top
7. Press down around the sides of the cover.
8. Re-engage the cover locks